

# 316-12C INSTALLATION GUIDE

## Door Lock Motor (2-wire)

Thank you for purchasing a 316-12C Door Lock Motor. Be sure to read this manual before use and closely follow the wiring and usage instructions. Also be sure to keep this manual in a safe place to ensure you have access to it, if needed, in the future.

Rev. Mar. 08, 2022

### PRODUCT WARRANTY CLAIM

<b>PRODUCT DESC.:</b>	Door Lock Motor (2-wire, 12V)	<b>MODEL:</b>	316-12C
<b>Warranty Period:</b>	1 YEAR (validated only by dealer and/or dated proof of purchase)		
<b>Date of Purchase*:</b>	Year: _____, Month: _____, Day: _____		
<b>Customer Info.*:</b>	Name: _____		
	Address: _____		
	Phone: _____	Email: _____	
<b>Seller Info.*:</b>	Name: _____		
	Address: _____		
	Phone: _____	Website: _____	

\* Please fill in these marked sections above completely.

Approval Stamp

**Manufacturer:** KIRAMEK, Inc.  
9-183-1 Itayama-cho,  
Handa-shi, Aichi-Ken 475-0936 JAPAN

**NOTE:** Warranty Claims not accepted without valid Approval Stamp and/or dated proof of purchase.

**Contact TEL:** +81-569-20-5585 ( Operating Hours (ex. Sat./Sun./Holidays):  
10:00AM ~ NOON, 1:00PM ~ 4:00PM )



## SAFETY PRECAUTIONS

Please be sure to read the following notes before use.

### DANGER

Do not install or mount this product in a place that possibly interferes with or affects vehicle operation or moving parts. In particular, if wires are caught in a moving part or panel, or if it is installed so as to impair the performance of the vehicle equipment, not only will the product possibly be damaged, but the vehicle may be damaged too, putting passengers at risk. Please be careful!

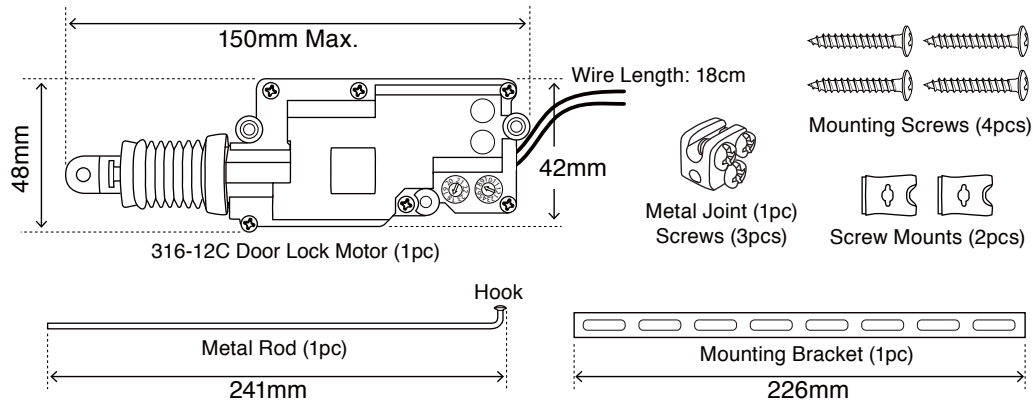
### WARNINGS

- Avoid disconnecting the battery on vehicles equipped with an airbag to avoid warning lights or airbag related problems.
- Incorrect wiring during your installation may cause damage to the vehicle or the 316-12C. Be careful and wire in strict accordance to this manual.

### PRECAUTIONS

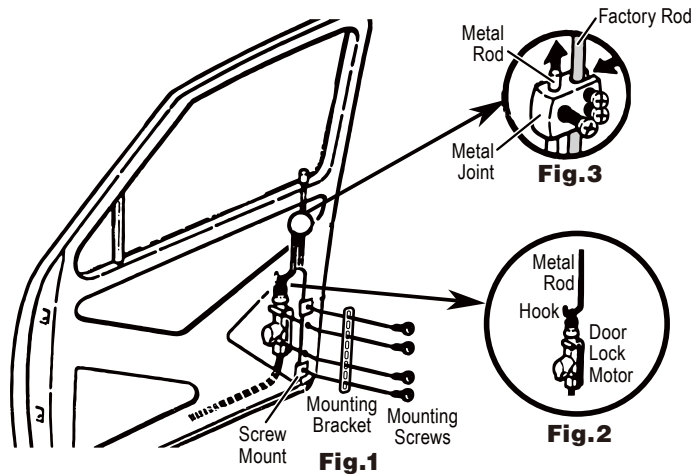
- This product must be installed only in 12V vehicles. Installation in a 24V vehicle will damage the product and such is not covered under warranty.
- Do not mount this product in a place where water splashes or collects, or near heat sources, in high humidity, or where steam, oil or dust collects. There is risk of personal injury or even death when a short circuit occurs. It could cause electric shock, a fire or another circuit to be broken or malfunction.
- We recommend a professional installation by someone experienced in vehicle electronics. If you have doubts about your ability to properly install this product, do not install it and hire a professional who can.
- Do not install this product anywhere in the engine compartment.
- Mount the plastic module securely so it won't become disconnected, malfunction or interfere with other vehicle electronics.
- When necessary, open a window to ensure you don't lock keys in the car.
- Some vehicles equipped with airbags or antitheft stereo systems can detect when the vehicle battery has been disconnected. If you disconnect the battery, you might need to return to your dealer to have them clear a fault code.
- Our company accepts no liability for any vehicle damage relating to improper installation.

## INCLUDED PARTS



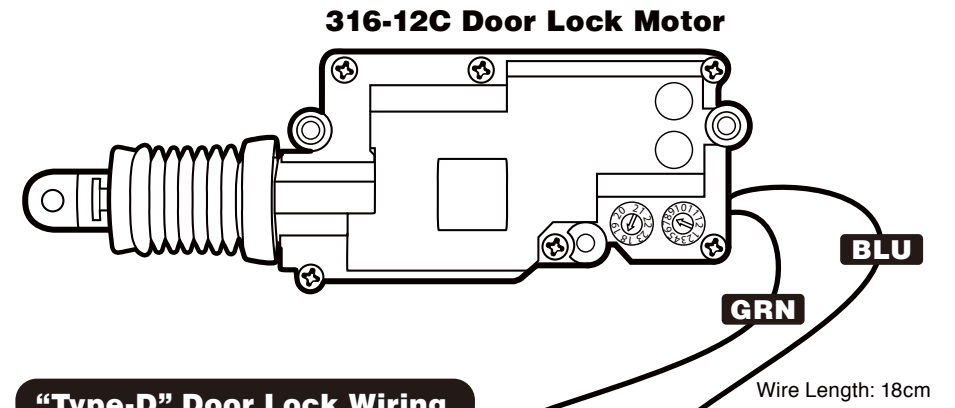
NOTE: The 318-16R is an optional purchase that will be needed if your alarm doesn't have MCU-controlled dual relays.

## DOOR MOUNTING



1. Remove door cover and lining. (Normally, this is the driver's door.)
2. Mount the 316-12C motor inside the door as shown in **Fig.1** above.
3. Attach the hook of the Metal Rod to the moving part of the motor (**Fig.2**).
4. You may need to bend the Rod to be parallel to the vehicle's factory rod.
5. Connect the parallel rods together with the included Metal Joints (**Fig.3**).
6. Connect the GRN motor wire to the GRN/YEL of the 318-16R door lock unit.
7. Connect the BLU motor wire to the BLU/YEL of the 318-16R door lock unit.

## DOOR LOCK INTERFACE WIRING



### "Type-D" Door Lock Wiring

See the 318-16R User Guide for details on how to connect the 5-wire Control Harness.

