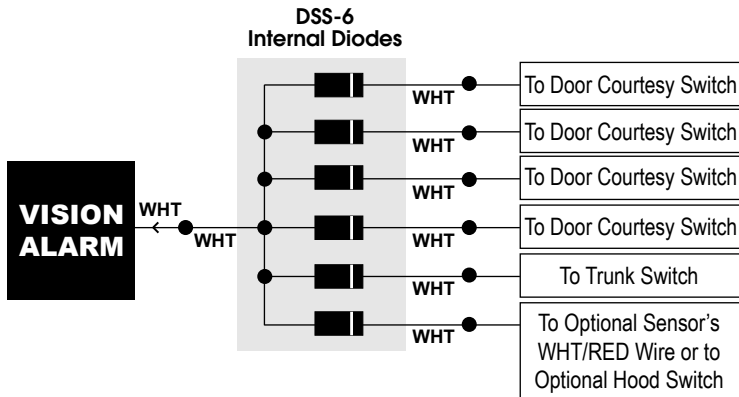


DSS-6 INSTRUCTIONS

- Use when the alarm cannot read the door/trunk input signal well.
- Use on vehicles equipped with a factory Smart Key or Intelligent Key system, where the dome light illuminates on door Unlock (via the keyless remote).
- Use when you need to splice multiple inputs to the single WHT trigger input wire of a VISION or SCIBORG vehicle security system.

Example Wiring



NOTES: The Door and Trunk pin switch connections are typically found at the body computer or fusebox inside the cabin. Some older vehicles still require running a separate wire all the way to the actual switch in the trunk. You do not have to connect all 6 wires shown above (e.g., if you have a 2 door car with a trunk, you only need 3 out of 6 -- leave the others disconnected.)