

KCM-1: Multi-Function Adapter for Car Security Systems

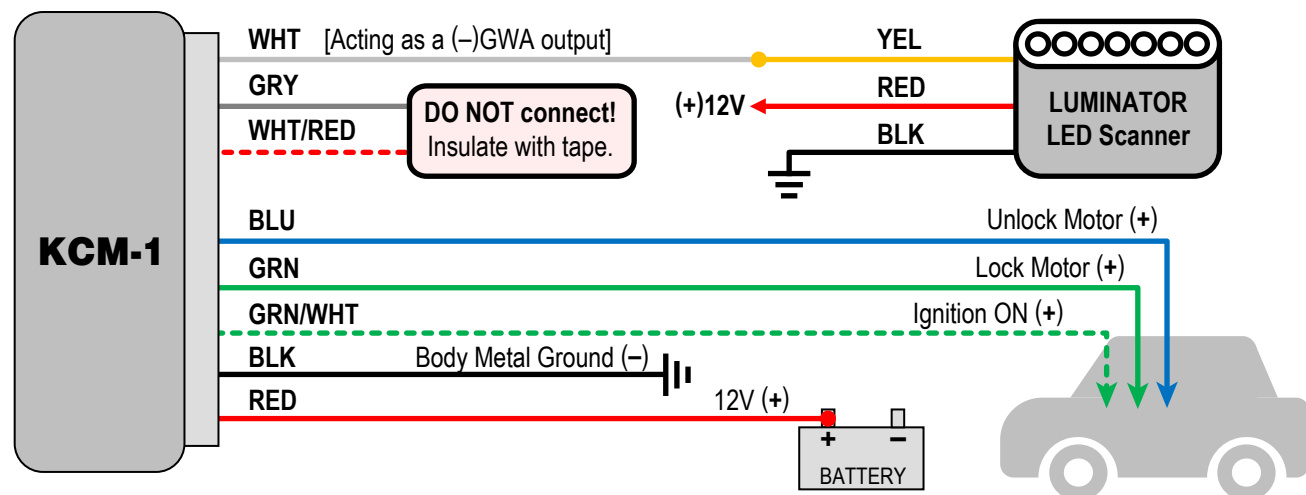
This product monitors an aftermarket car security system and outputs a low current (-) Ground to activate a low-power LED Scanner, vehicle Hazard Light Relay, or the car's Horn Relay.

FOUR WAYS TO INSTALL

- 1 Dummy Security.** Powers an LED scanner as a theft deterrent when the vehicle's Lock button is pressed, and turns off the scanner when Unlock is pressed.
- 2 LED Monitor.** Looks for a (-)GND controlled LED flash and then sends a (-)GND output that can be used to activate a low-power device like an LED scanner.
- 3 Hazard Flash.** Monitors a Siren or the car's Horn to know when to flash the vehicle's Hazards. (Useful for CAN-BUS alarms like the VISION 1480 if Hazards can't be flashed by CAN.)
- 4 Hazard Flash & Horn Honk.** Same as (3) but adds Horn Honk output, which is useful on car's where a Siren cannot be easily installed in the engine compartment.

NOTE: When changing the installation type or in the event of a problem, disconnect power to the KCM-1 and leave it disconnected for 60 seconds, then reconnect.

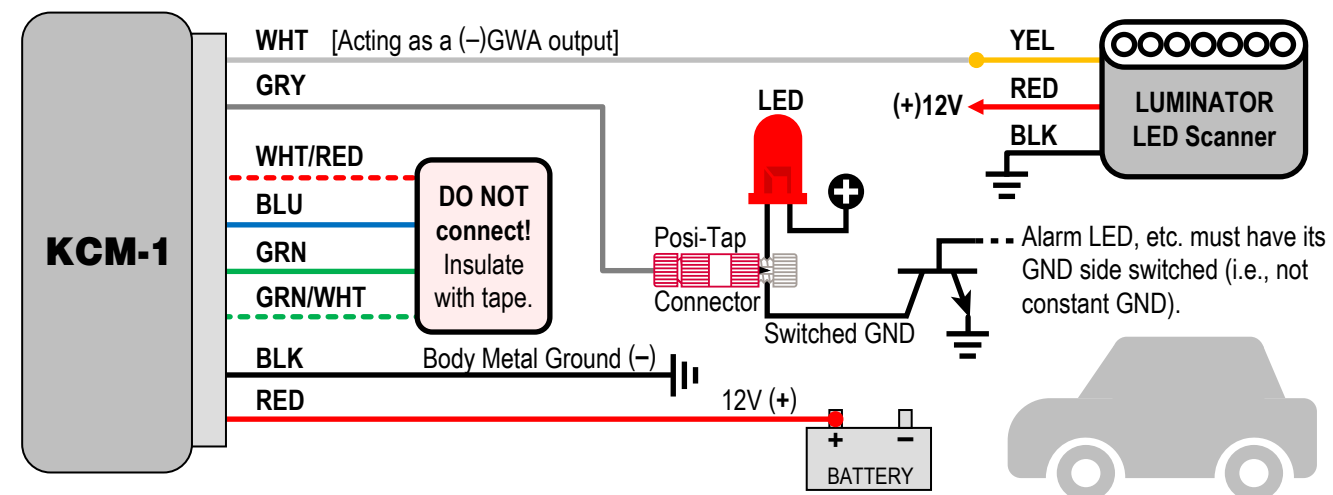
1 Dummy Security Activate an LED Scanner with Vehicle Door LOCK



OPERATION & NOTES

- LOCK doors to activate your LED Scanner.
- UNLOCK doors to turn off the Scanner.
- If you turn ON the Ignition while the scanner is blinking, the Scanner will immediately turn OFF.
- While the Ignition is ON, even if you LOCK the doors, the Scanner will not illuminate.
- The optional GAP-2 is not required when using Scanners with the KCM-1.
- This install is NOT a security system because a valid UNLOCK signal or IGNITION ON will immediately disable the Scanner. In other words, this is "scare crow" Dummy Security.
- Failure to tape "DO NOT connect!" wires, or connecting them, could damage the product or car!

2 LED Monitor Activate LED Scanner with an existing LED that flashes

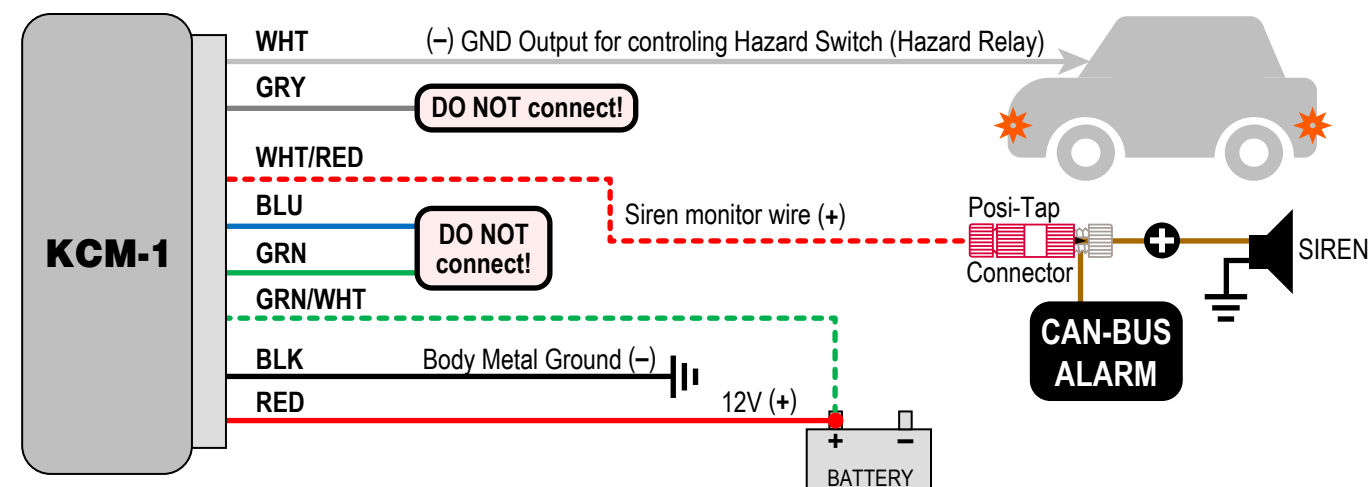


OPERATION & NOTES

- When the car LED (e.g., car alarm, factory alarm, etc.) starts flashing, your Scanner activates.
- When the car LED stops flashing, your Scanner turns off.
- Scanner activation has nothing to do with Door Locking or the Ignition switch state.
- Some alarms have "trigger memory" flashing. Your Scanner will operate during those flashes.
- Be careful not to damage the LED you interface with when installing.
- If the LED you want to use is switched on its positive leg, installation is NOT POSSIBLE!
- **REQUIRED LED FLASH TIMING: ON time >100ms, OFF time <1.5 seconds**
- Failure to tape "DO NOT connect!" wires, or connecting them, could damage the product or car!

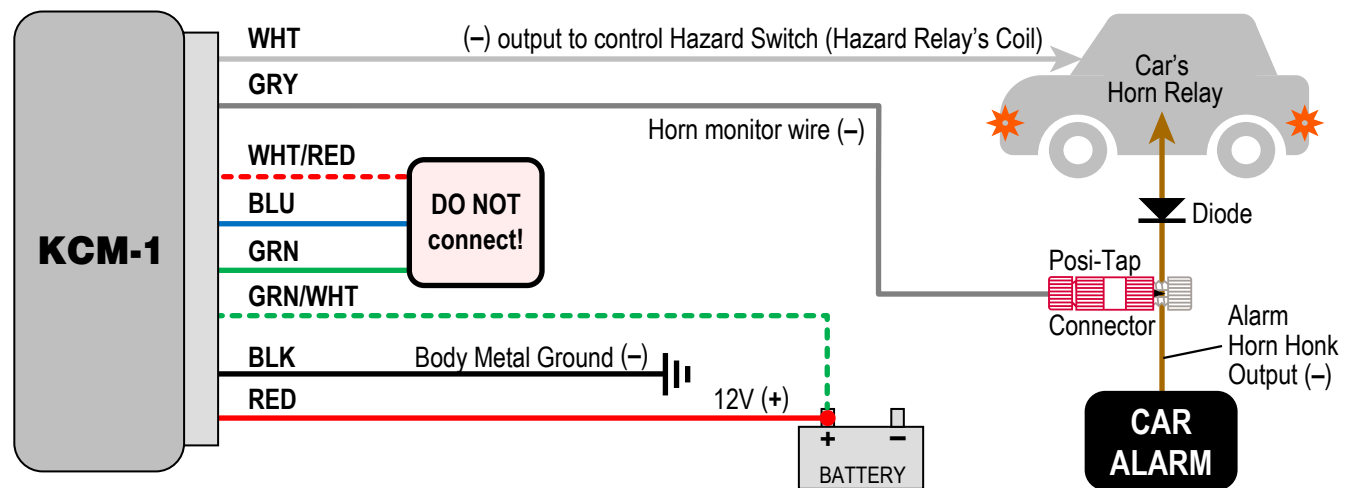
3 Hazard Flash Flashes when an Alarm triggers a siren or the car's horn

Wire as shown below if you have a CAN-BUS alarm (e.g., VISION 1480) that can't flash the Hazards by CAN for some reason.



3 Hazard Flash (continued)

Wire as shown below if you have a car alarm that uses Horn Honk instead of a Siren and lacks the ability to flash the Hazards.

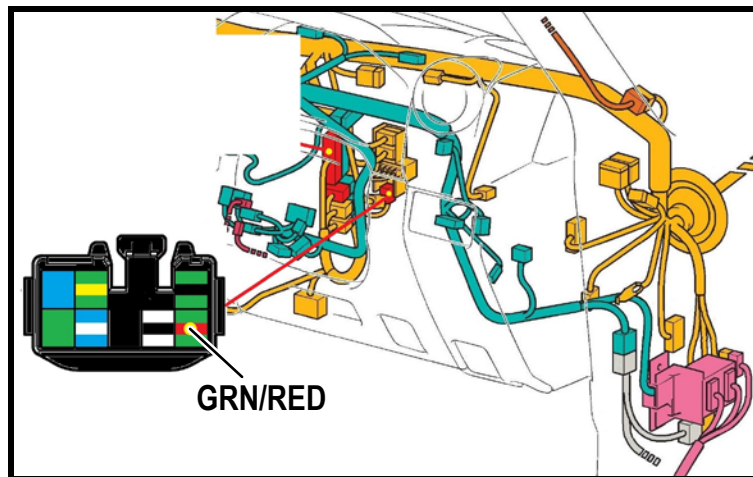


OPERATION & NOTES

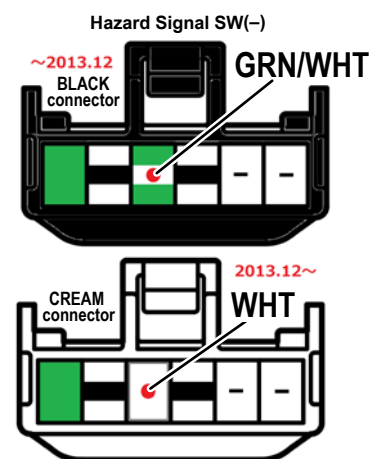
- Hazards flash 5 times on detecting a shock (or similar) sensor triggering Warning Chirps.
- When the Car Alarm triggers its full alarm blast, Hazards flash until the siren/horn stops.
- Hazards flash 5 times upon seeing Alarm "error chirp" (when you Arm with door open, etc.)
- Hazards do NOT flash on Arm/Disarm or when changing alarm's programmable features.
- Precise number of Hazard flashes can vary due to vehicle Hazard flash relay timing.
- Failure to tape "DO NOT connect!" wires, or connecting them, could damage the product or car!

Example Hazard Relay (-) Connections

Toyota Land Cruiser 70 (GR17#K)
Aug. 2014 & newer

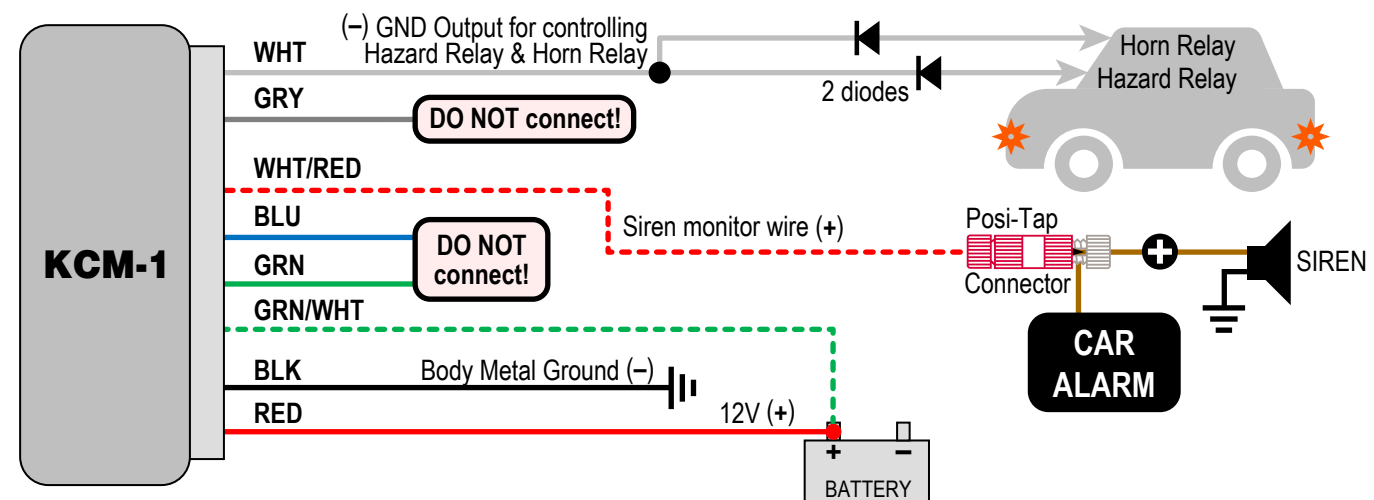


Toyota Hiace/RegiusAce (200)
Aug. 2007 & newer



4 Hazard Flash & Horn Honk (whenever a car alarm siren sounds)

Same wiring as 3 (on pg.2) but adds a diode-isolated output wire to drive the car's Horn Relay.



OPERATION & NOTES

- Hazards flash 5 times and the Horn honks 5 times on detecting a shock (or similar) sensor triggering Warning Chirps.
- When the Car Alarm triggers its full alarm blast, Hazards flash and the Horn honks until the alarm blast stops (often in 30 seconds).
- Hazards don't flash and Horn doesn't honk when doors are Locked (Alarm "Arming") or Unlocked (Alarm "Disarming") using the factory key. There also is no flashing or honking if you add a 2-way pager and set it to Silent Mode.
- Failure to tape "DO NOT connect!" wires, or connecting them, could damage the product or car!

Example Hazard & Horn Relay (-) Connections

MAZDA CX3
(DK##W)
Feb. 2015 ~

