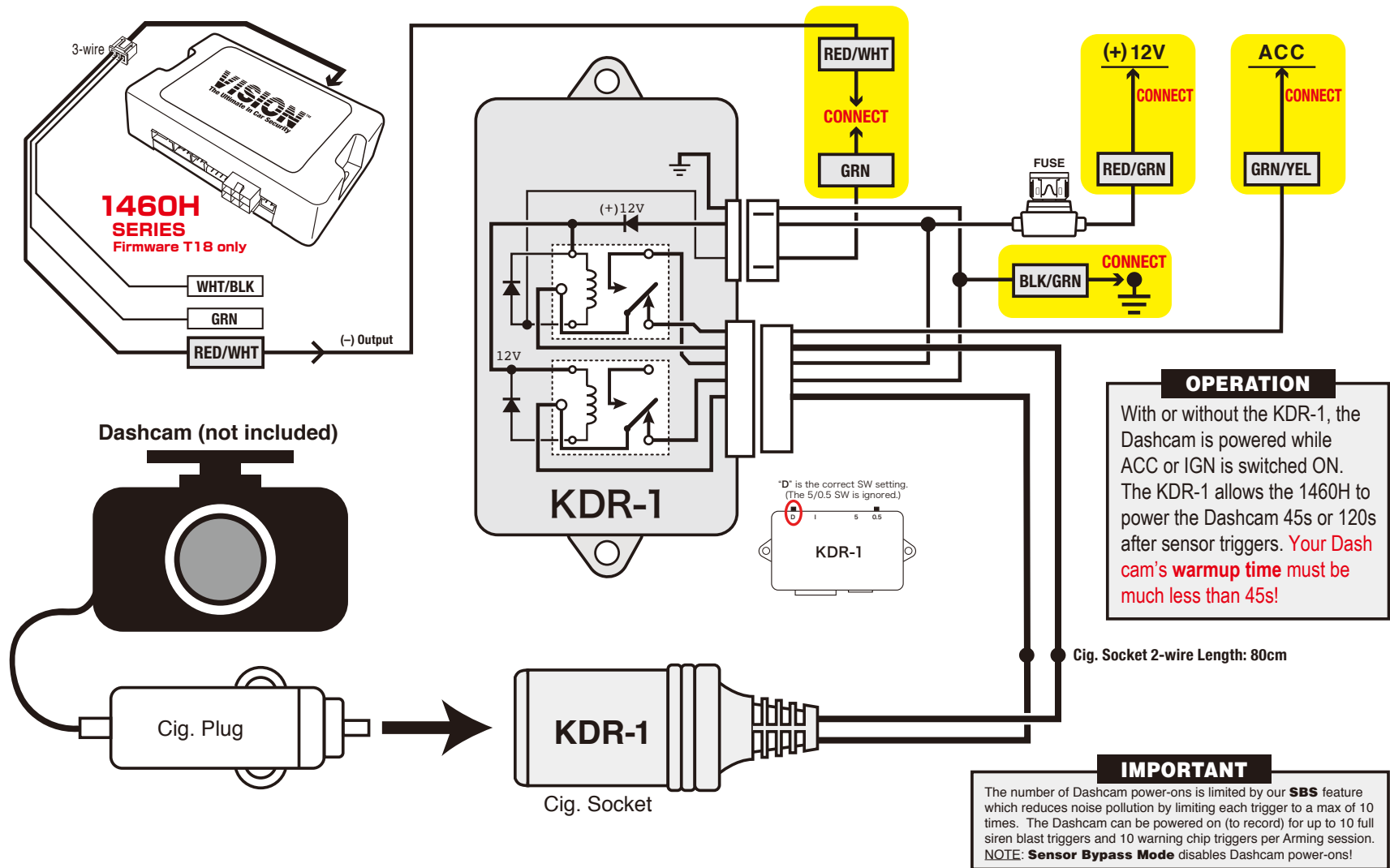


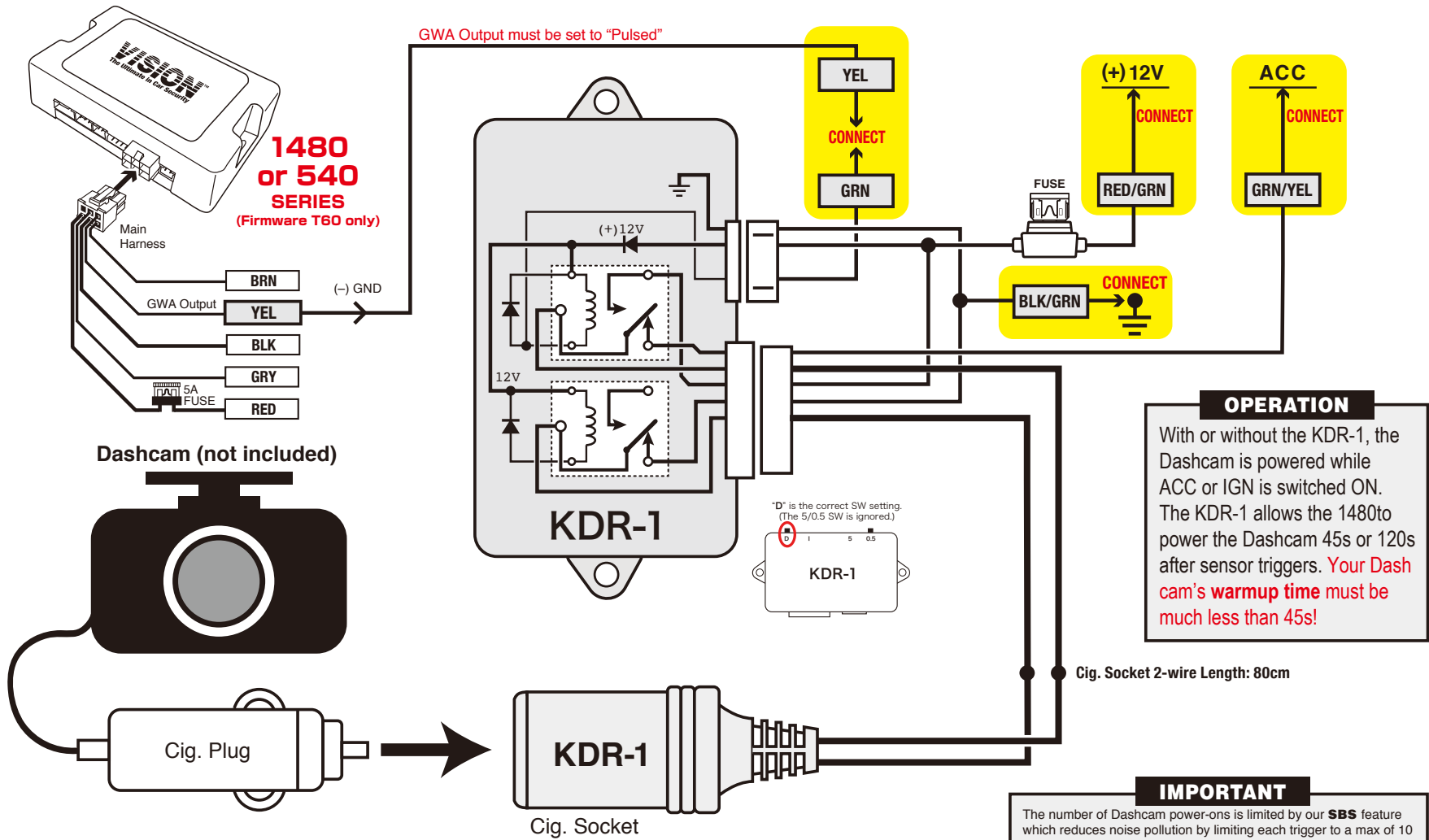
KDR-1: Dashcam Adapter Wiring

1460H(H+)



KDR-1: Dashcam Adapter Wiring

KDR-1 IS INCLUDED WITH:
1480S(B)-DR



OPERATION

With or without the KDR-1, the Dashcam is powered while ACC or IGN is switched ON. The KDR-1 allows the 1480to power the Dashcam 45s or 120s after sensor triggers. **Your Dashcam's warmup time must be much less than 45s!**

Cig. Socket 2-wire Length: 80cm

IMPORTANT

The number of Dashcam power-ons is limited by our **SBS** feature which reduces noise pollution by limiting each trigger to a max of 10 times. The Dashcam can be powered on (to record) for up to 10 full siren blast triggers and 10 warning chip triggers per Arming session. **NOTE: Sensor Bypass Mode** disables Dashcam power-ons!