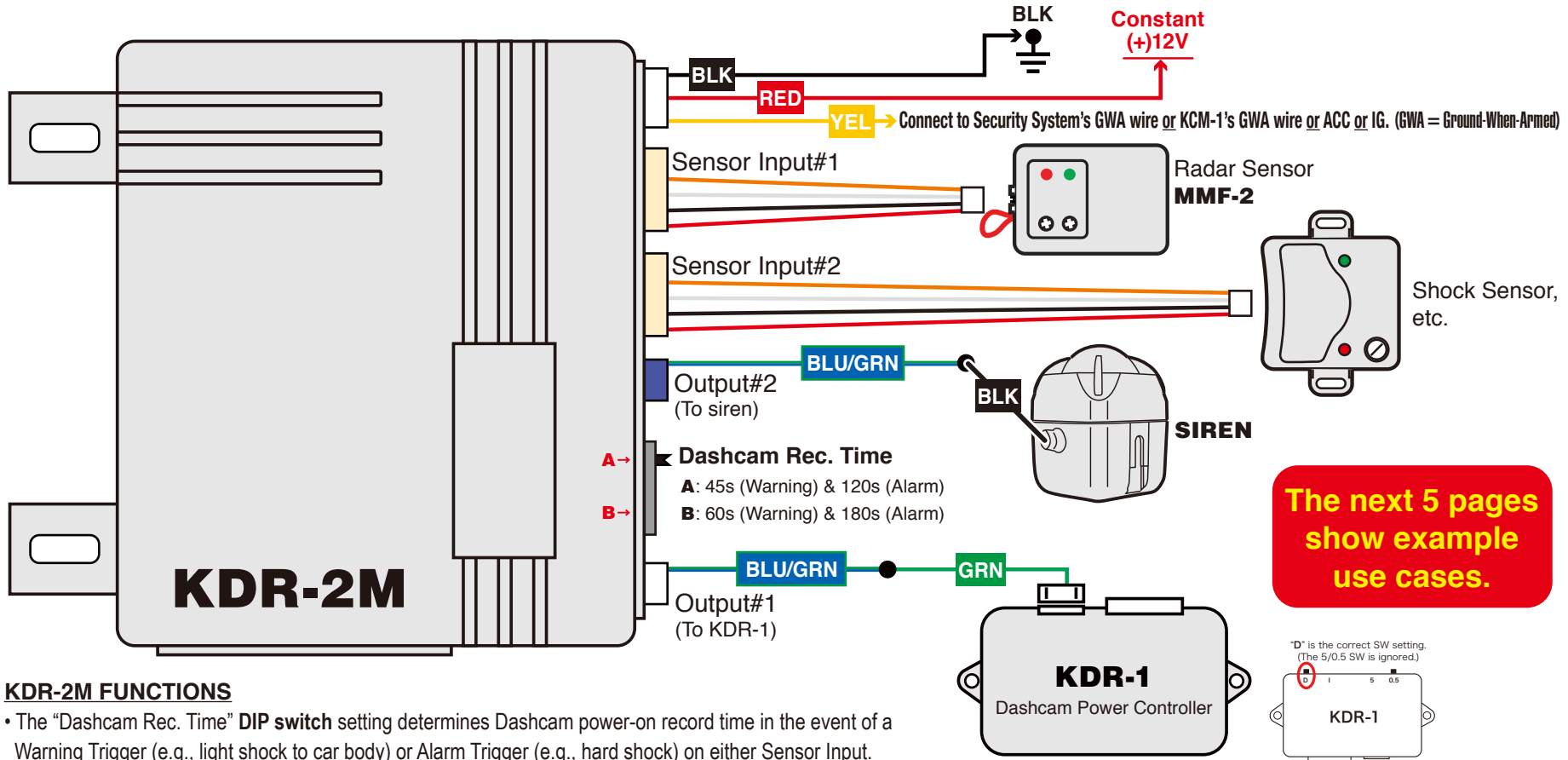


KDR-2M: Security Interface for Dashcams

GENERAL WIRING OVERVIEW

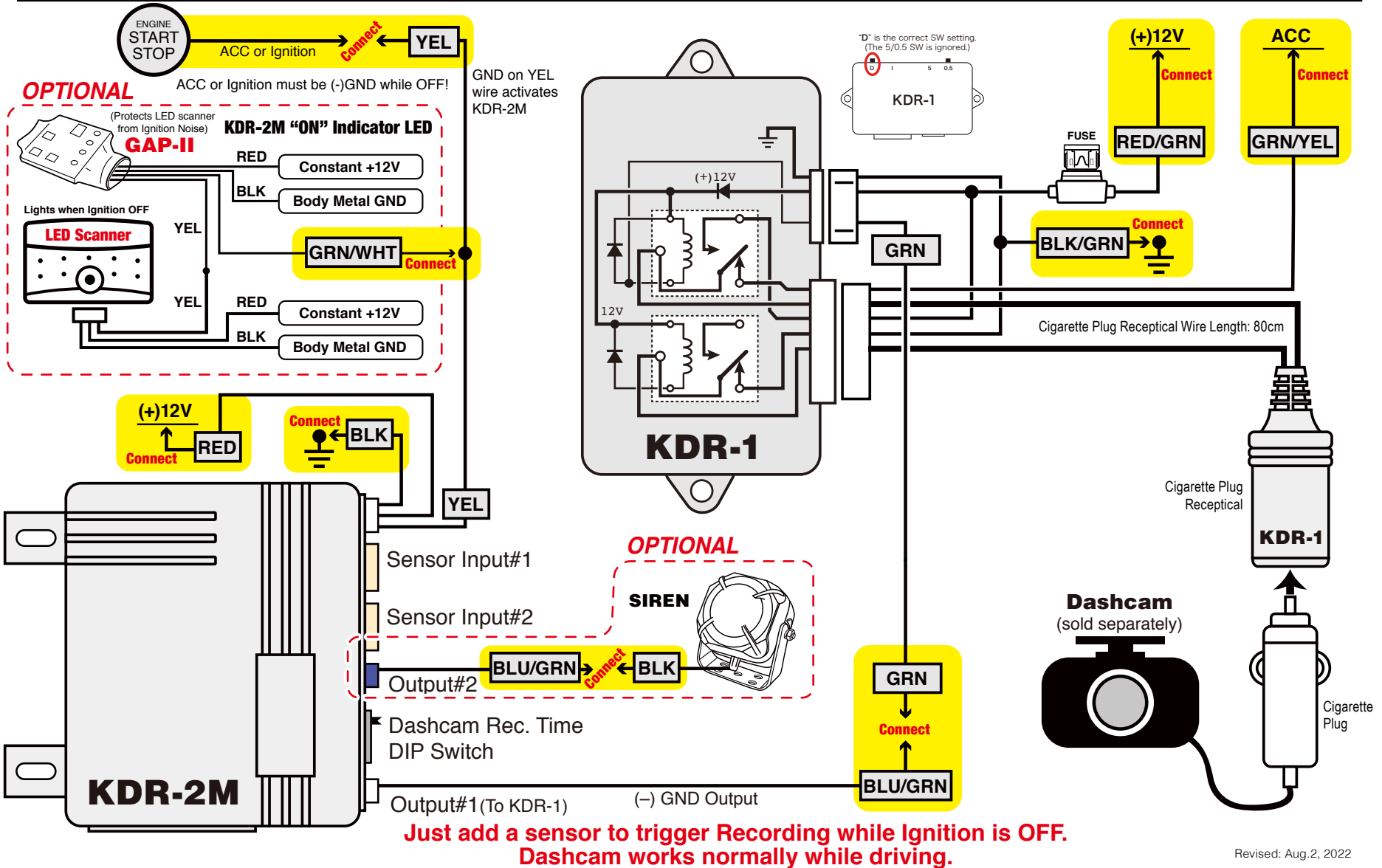


KDR-2M FUNCTIONS

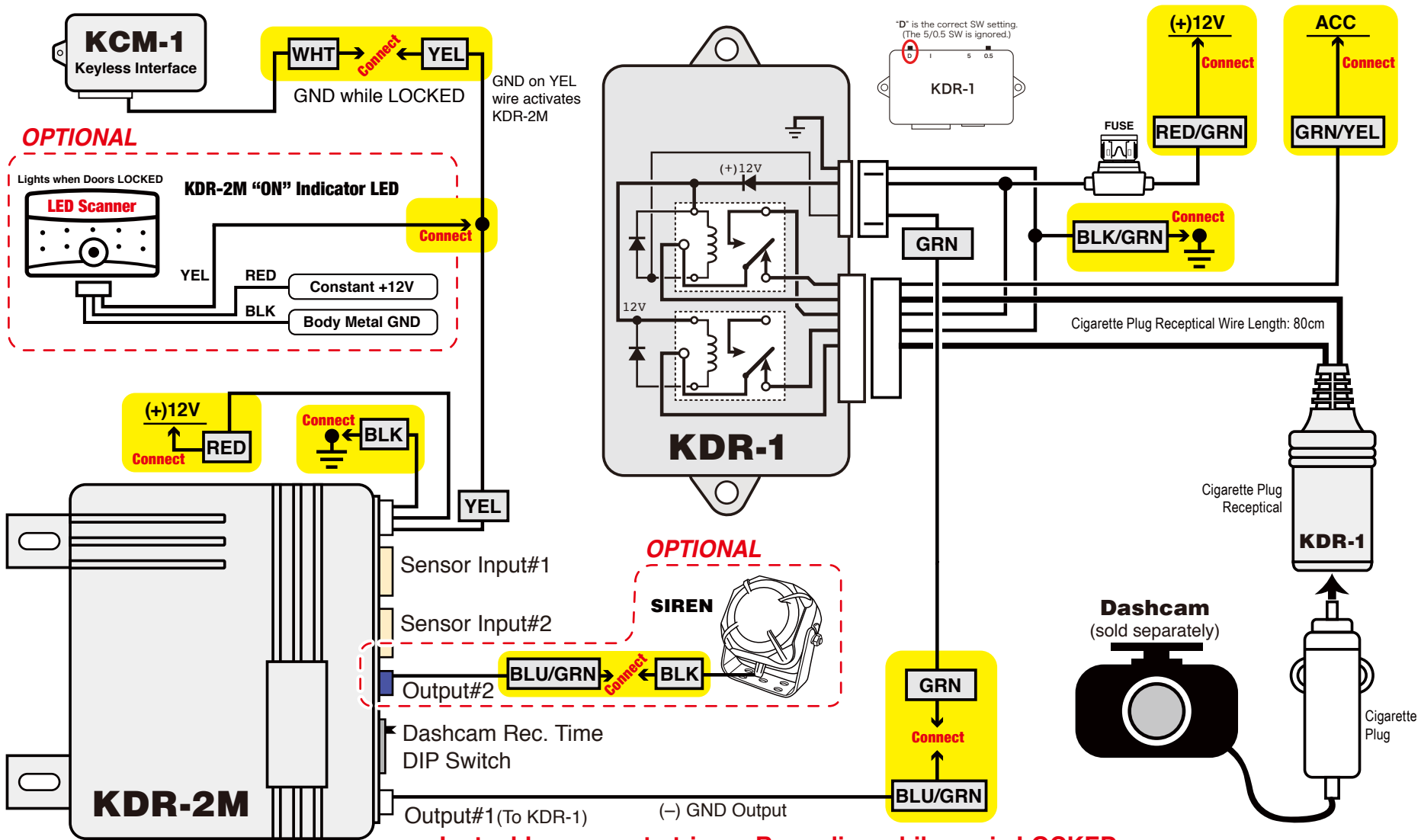
- The “Dashcam Rec. Time” **DIP switch** setting determines Dashcam power-on record time in the event of a Warning Trigger (e.g., light shock to car body) or Alarm Trigger (e.g., hard shock) on either Sensor Input.
- When a constant (-)GND signal appears on the **YEL** input wire, sensor inputs activated 30s later.
- A **Warning trigger** on either Sensor Input will make Output#1 become GND for 45s or 60s, and at the same time, Output#2 will become GND 5 times (e.g., 5 Siren Chirps).
- An **Alarm trigger** on either Sensor Input will make Output#2 become GND for 120s or 180s, and at the same time, Output#2 will become GND for 30 seconds (e.g., Siren blasts 30s), unless Disarmed.
- To **Disarm** the KDR-2M, the YEL input wire must either be disconnected or connected to +12V.

- Sensor Inputs are ignored while Outputs #1 & #2 are active.
- After changing Dashcam Rec. Time, Output#2 will be (-)GND for 300msec. (1 siren chirp)
- All devices shown above are sold separately. KDR-2M requires KDR-1.

Ignition Control of Dashcam



SmartKey Lock/Unlock Control of Dashcam

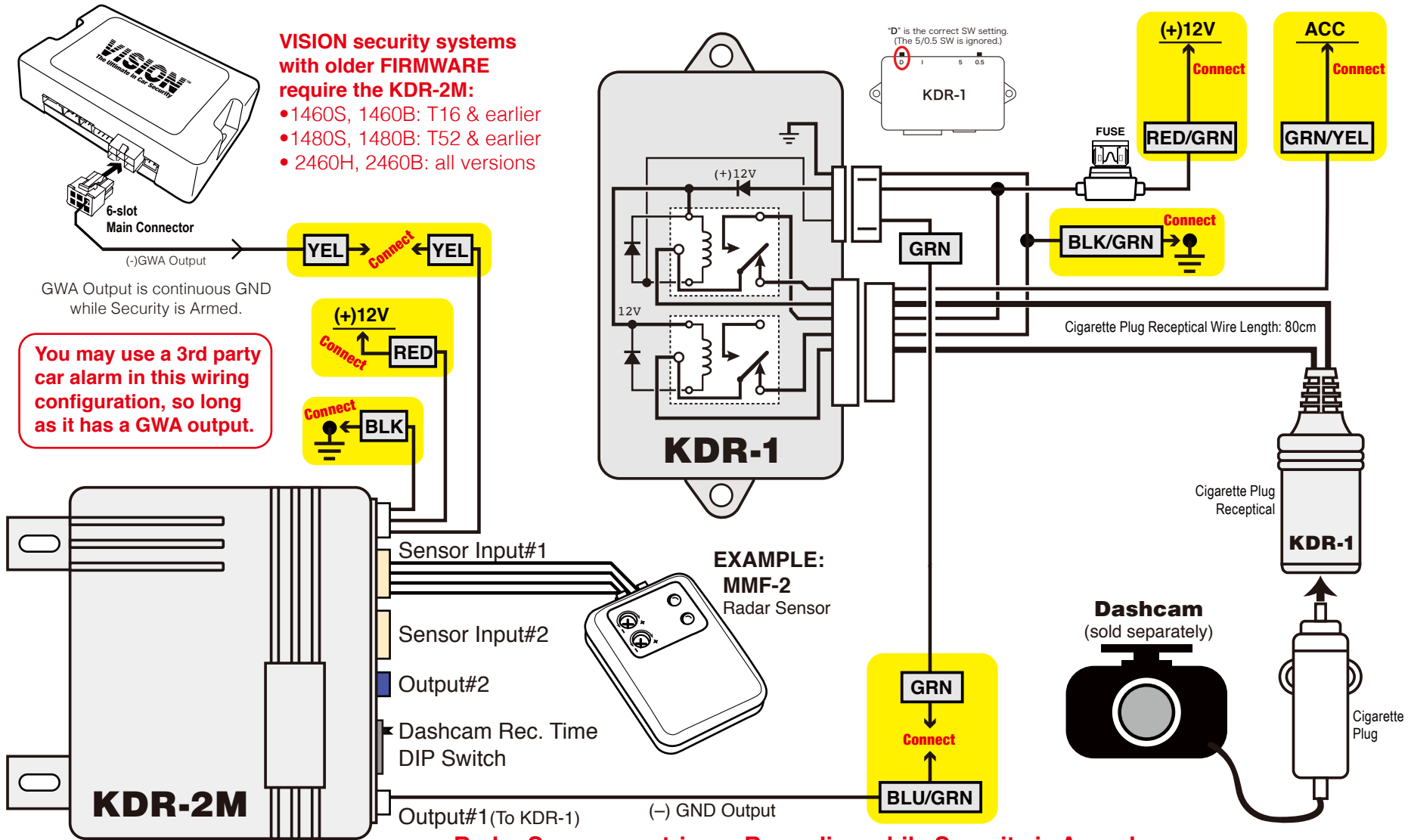


**Just add a sensor to trigger Recording while car is LOCKED.
Dashcam works normally while driving.**

GENERAL Car Security Control of Dashcam

VISION security systems with older FIRMWARE require the KDR-2M:

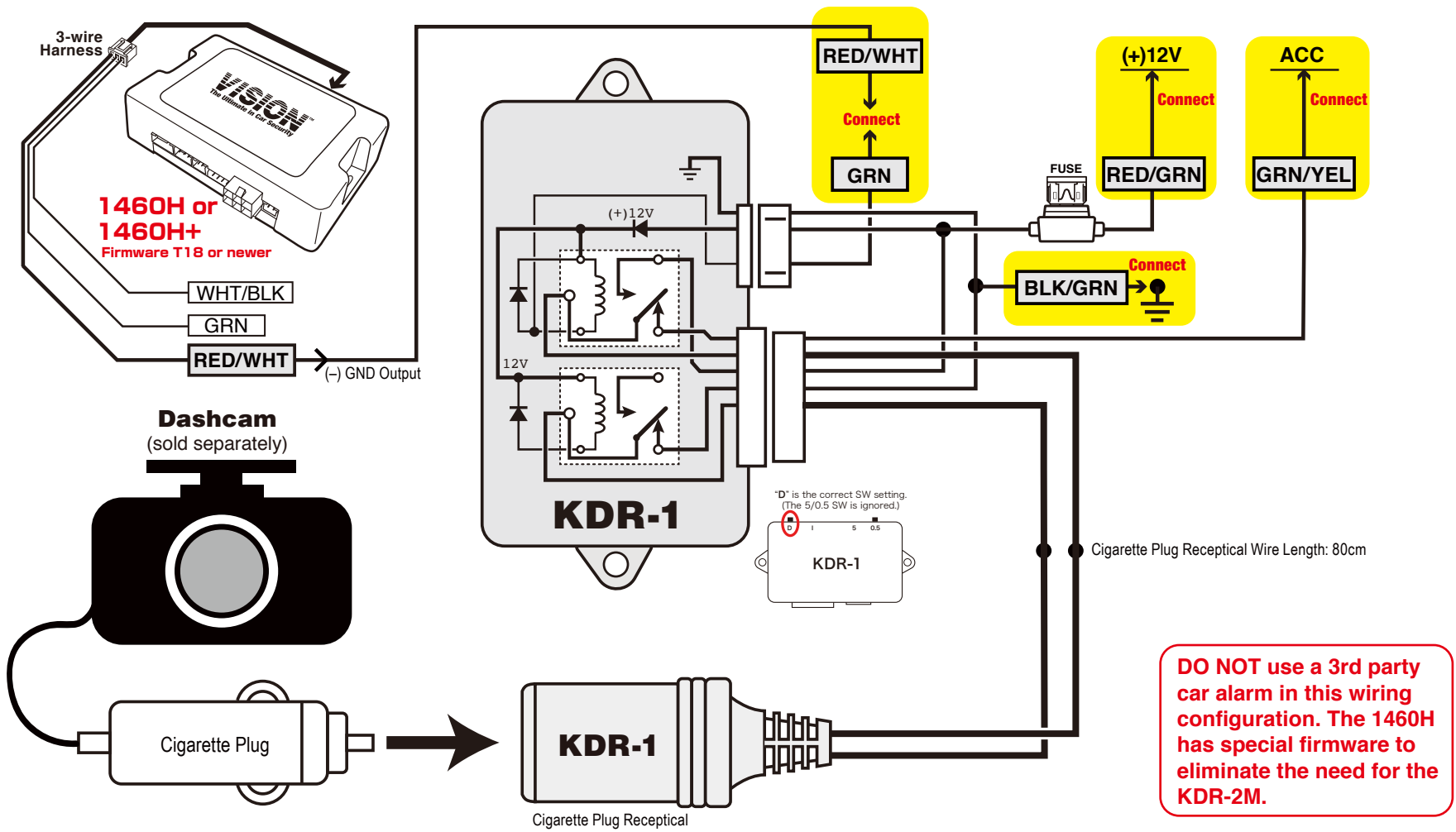
- 1460S, 1460B: T16 & earlier
- 1480S, 1480B: T52 & earlier
- 2460H, 2460B: all versions



**Radar Sensor can trigger Recording while Security is Armed.
Dashcam works normally while driving.**

(KDR-2M not required when using 1460H or 1480-DR.)

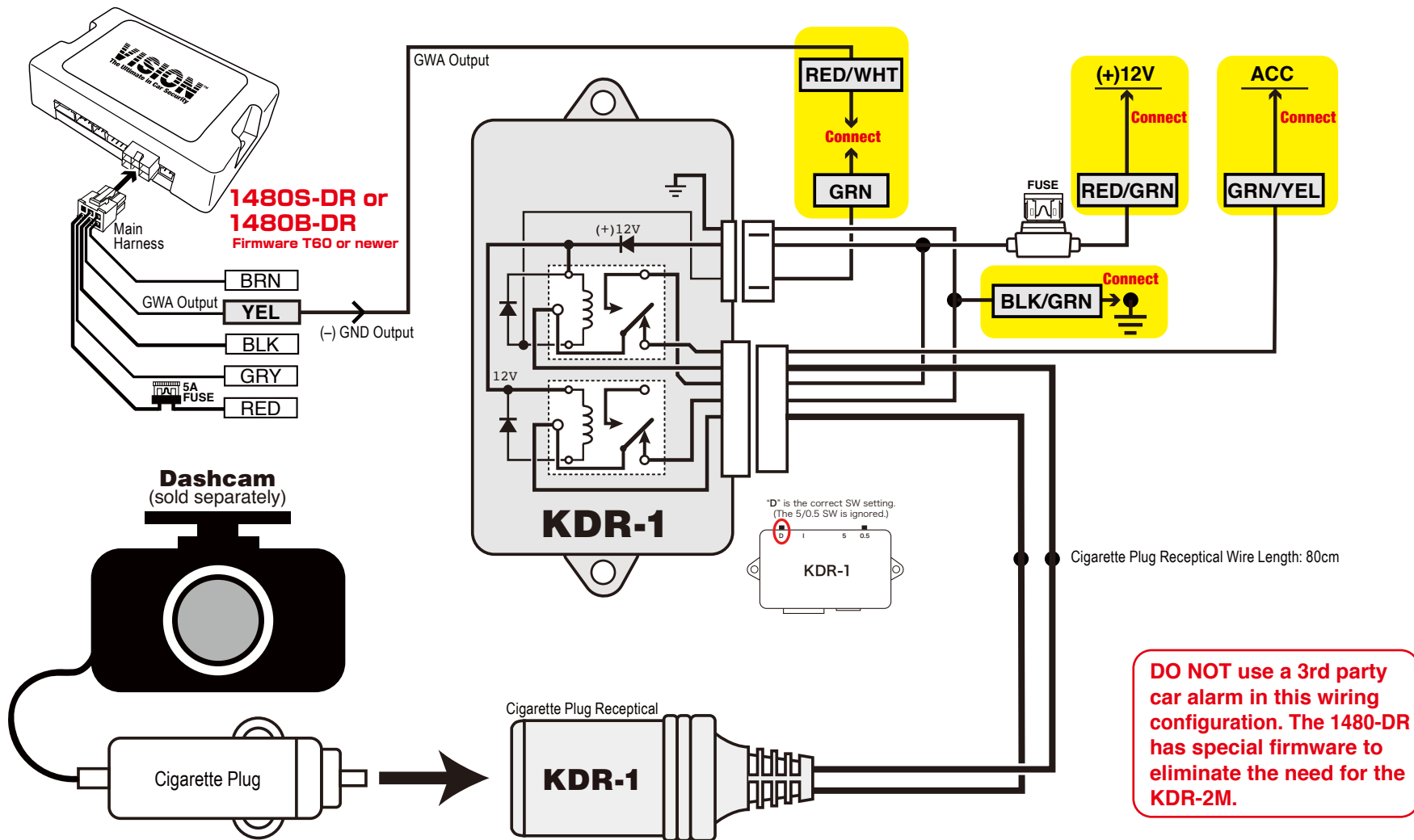
Control of Dashcam by VISION 1460H/H+



DO NOT use a 3rd party car alarm in this wiring configuration. The 1460H has special firmware to eliminate the need for the KDR-2M.

**Sensors attached to 1460 can trigger Recording while Armed.
Dashcam works normally while driving.**

Control of Dashcam by VISION 1480-DR



**Sensors attached to 1480-DR can trigger Recording while Armed.
Dashcam works normally while driving.**