

INSTALLATION GUIDE

KNR-2A Starter Kill Dual Relay Unit

BEFORE YOU INSTALL

Thank you for purchasing the KNR-2A Starter Kill Unit. Be sure to read this manual before use and closely follow the wiring and usage instructions. Also be sure to keep this manual in a safe place to ensure you have access to it, if needed, in the future.

SAFETY PRECAUTIONS



WARNINGS

- Avoid disconnecting the battery on vehicles equipped with an airbag to avoid warning lights or airbag related problems.
- Incorrect wiring during your installation may cause damage to the vehicle or the KNR-2A. Be careful and wire in strict accordance to this manual.

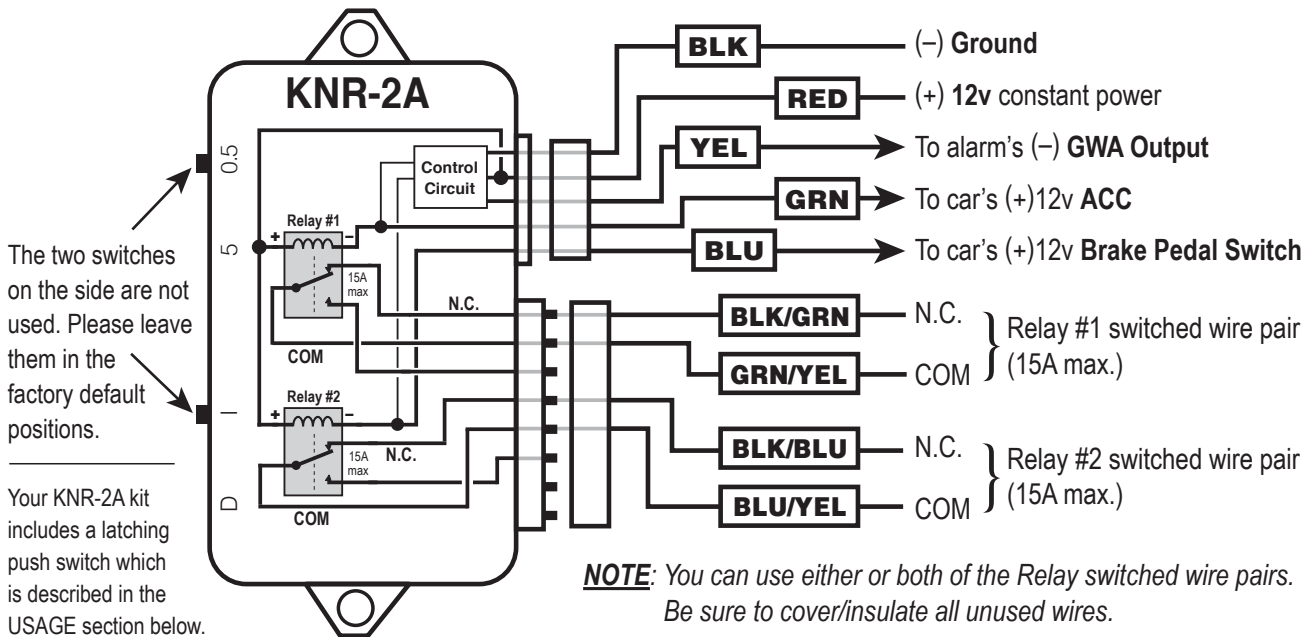
GENERAL NOTES



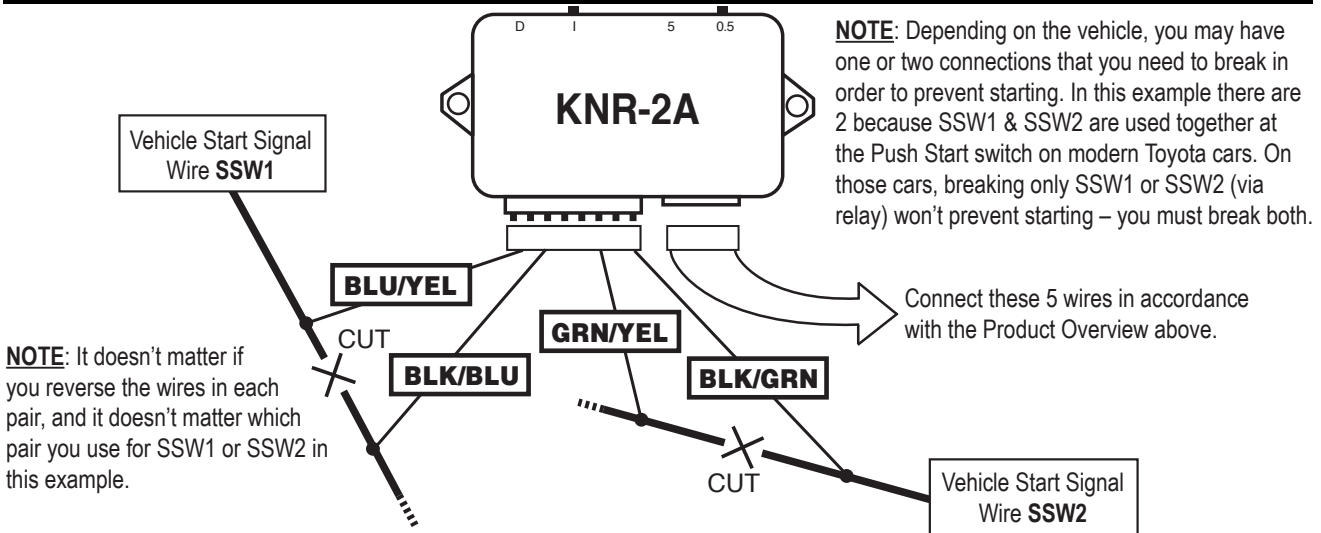
PRECAUTIONS

- This product must be installed only in 12V vehicles. Installation in a 24V vehicle will damage the product and such is not covered under warranty.
- Do not mount this product in a place where water splashes or collects, or near heat sources, in high humidity, or where steam, oil or dust collects. There is risk of personal injury or even death when a short circuit occurs. It could cause electric shock, a fire or another circuit to be broken or malfunction.
- We recommend a professional installation by someone experienced in vehicle electronics. If you have doubts about your ability to properly install this product, do not install it and hire a professional who can.
- Do not install this product anywhere in the engine compartment.
- Mount the plastic module securely so it won't become disconnected, malfunction or interfere with other vehicle electronics.
- When necessary, open a window to ensure you don't lock keys in the car.
- Some vehicles equipped with airbags or anti-theft stereo systems can detect when the vehicle battery has been disconnected. If you disconnect the battery, you might need to return to your dealer to have them clear a fault code.
- Our company accepts no liability for any vehicle damage relating to improper installation.

PRODUCT OVERVIEW



2-CUT INSTALLATION EXAMPLE



USAGE

1. To start vehicles which have the KNR-2A installed, you must Disarm the car security system, then step on the Brake, and then press the Push Start button.
2. Want to switch on ACC or Ignition without starting the Engine? Step on the brake once and then switch on ACC or Ignition within 60 seconds.
3. Can't start your engine? Make sure the car security system (alarm) is Disarmed, or install the included PBS-20R as described in (4) below to toggle Starter Kill on/off.
4. With the KNR-2A installed, you cannot use Manual Disarming on KIRAMEK car security systems UNLESS you cut the YELLOW ("To alarm's (-) GWA output") wire and insert both ends of the included Latching Push Switch (PBS-20R). Be sure to hide the PBS-20R, yet place it in a location the driver can easily access. It toggles Starter Kill ON/OFF.