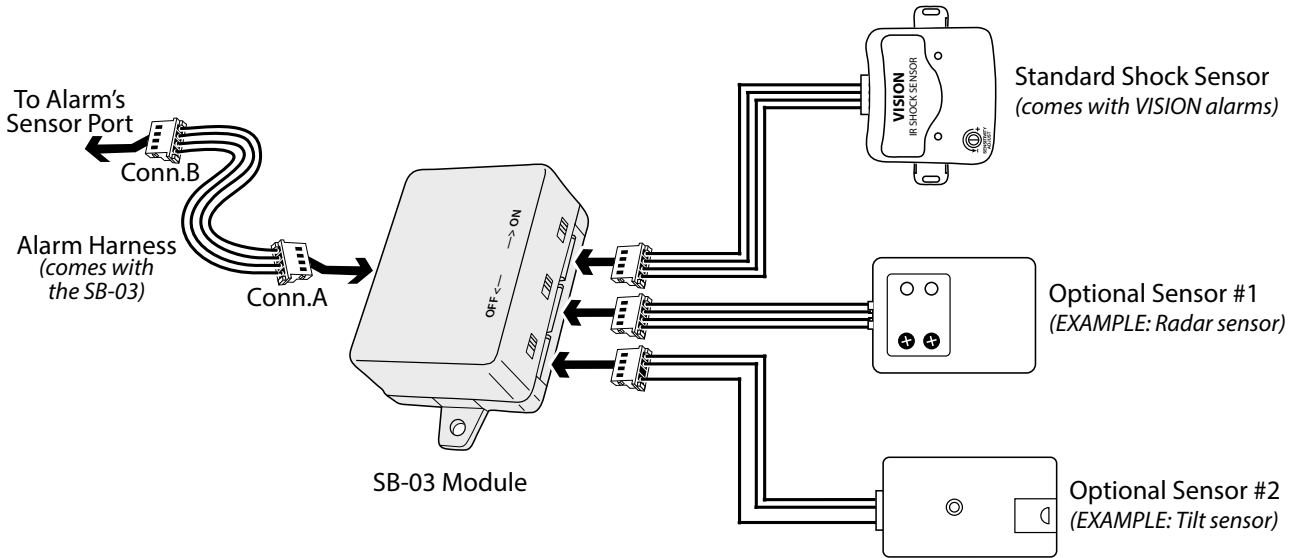


SB-03

SENSOR SPLITTER



INSTRUCTIONS. Refer to the above. Attach Alarm Harness “Conn.A” to the side of the SB-03 module that has only 1 connector. Next, attach the opposite end of the Alarm Harness (“Conn.B”) to the sensor input port of your VISION alarm. Next, connect your sensors to the other side of the SB-03 module (the side that has 3 connectors). You can connect up to 3 sensors, and you can individually switch your sensors ON or OFF using the SB-03’s slide switches. If you intend to switch them ON/OFF often, be sure to mount the SB-03 Module in an easily accessible location.

